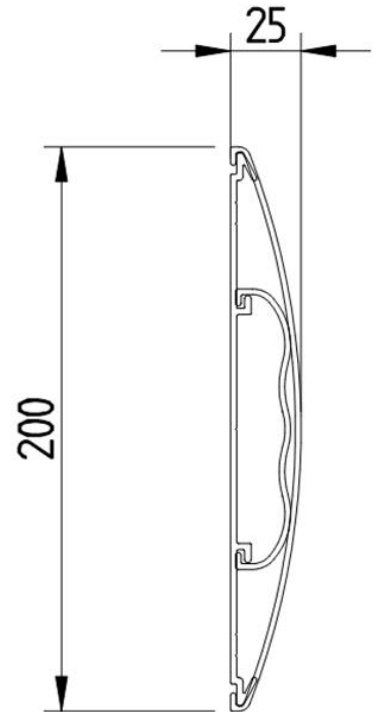


WGS200C – Continuous Retainer

1. Cut the aluminium or PVC retainer to the desired length, allowing 50mm clearance for each end cap so that the end caps can be fitted and removed when placed near an architrave or wall. For internal corners, it is necessary to reduce the retainer length by approximately 15mm.
2. Where an end cap is to be fitted, use a 6.0mm drill bit to drill 2 holes in the retainer using the high and low v-notches of the aluminium or PVC at 10mm from each end. Drill additional 6.0mm holes alternately on the high and low v-notches spaced evenly between the end holes at a pitch of 9 anchor points per 4.00m length (i.e. approximately 500mm apart with the holes staggered high and low).
Note:
 As the PVC Retainer possesses less rigidity than the aluminium option consideration should be made to shorter distances between anchor points i.e., <500mm intervals.
3. Using an alignment laser, position the retainer against the wall at the required height, aligning the v-notch on the centre-line of the retainer with the laser level. When positioning horizontally, allow for any end caps which need to be approximately 50mm away from any hindering wall, architrave or internal corner. With the retainer in the desired position mark the locations of the mounting holes on the wall with a marker. Drill all marked holes to the correct depth on the wall with a drill bit suitable for the screws and wall plug fixings being used (not supplied).
4. Loosely attach the retainer to the wall using one screw at either end of the retainer. Check alignment of all remaining holes in the retainer with the holes in the wall while maintaining alignment of centre-line of the retainer with the laser level. Correct any misaligned hole positions if needed. Use standard screws to fasten the retainer hard down.
5. Secure the remaining retainer sections down the length of the wall/wall's to the surveyed plan, with fixing screws (not supplied).
6. Identify the position of the **joint** between two presented WGS200V PVC-u Cover's
7. Snap-on the WGS200JS Jointing Strip at the joint position identified in Point 6. secure the jointing strip at the top and bottom of the PVC-u 'V-notch' using self-tappers directly through the aluminium or PVC retainer and tightened into the substrate/wall structure.
8. Measure the length of each PVC-u covers to reside either side of the joint position identified in Point 6. Then cut two WGS200B Bumper sections each ~50mm short of the identified lengths, align the top edge of the bumper onto the top edge of the support leg on the retainer and snap each bumper onto the retainer, finally slide-up each bumper to mate with the jointing strip.
9. The length identified in Point 8. plus, 5mm in total will be used as the cut length for the first PVC-u cover.
10. Secure the end-caps for the entire section of handrail using the supplied screws, 2 per end cap.
11. Cut the first PVC-u cover to the desired length (as per Point 9.), taking care to ensure that the cuts are both square and clean. Loosely position the PVC-u cover on the aluminium or PVC retainer to check the fit length and alignment with the jointing strip, adjusting if necessary. Hook the top edge of the PVC-u cover over the top edge of the retainer while butting the PVC-u cover up against one of the reveals. Press the base of the PVC-u cover downwards towards the base of the aluminium or PVC retainer until it snaps into place. Repeat with the adjoining PVC-u cover which should now butt together producing a seamless finish.
12. Continue following Point 6. to Point 8. followed by Point 11 (ignoring the 5mm length addition). until the final section reveal is approached, cut the desired length then fold the end of the PVC-u cover inwards towards the reveal/end-cap so that there is a compressive force on the PVC-u cover against both end-caps/reveals to keep everything flush when the final section is snapped into place.
Note:
 The length of the PVC-u cover sections in any one run should be planned in order that the final piece to be fitted is not too short and close to the end cap both for aesthetics and ease of fitting.



Wall Protection

Installation Instructions

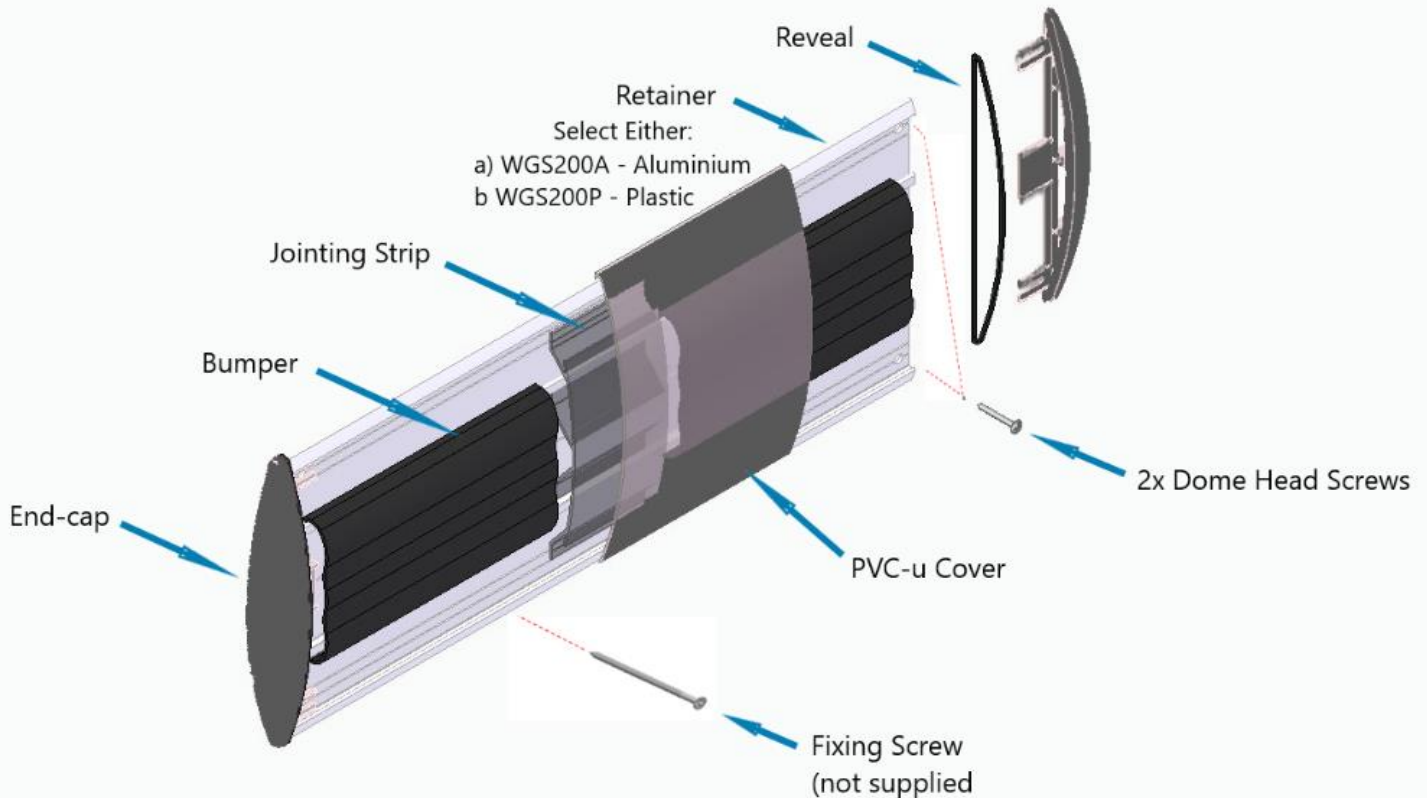
WGS200 Wall Guard (WGS200C option)

Data Sheet: Page 2 of 2 DW/DC-L May 2023

Fitters Tips:

- The PVC-u cover may try and compress under the pressure of the saw blade during the cutting process. This can be reduced by cutting very slowly.

WGS200C – Continuous Retainer Option PVC or Aluminium



Part	Description
WGS2001/XXXX	End Cap (including reveal and fixings)
a) WGS200A*	Continuous Aluminium Retainer
b) WGS200P**	Continuous Plastic Retainer
WGS200B	Internal PVC-u Bumper
WGS200JS	Jointing Strip
WGS200V/XXX	PVC-u Cover

Note:

Specify either:

- a) WGS200A* Continuous Aluminium Retainer
or
 b) WGS200P** Continuous Plastic (PVC) Retainer